

# ECOWPENC / QFWPENC Installation Instructions

## IP65 Weatherproof Enclosure for Exit Signs or Emergency Luminaires

PLEASE REVIEW THESE INSTRUCTIONS CAREFULLY BEFORE INSTALLING OR MAINTAINING THIS EQUIPMENT. THIS INFORMATION SHOULD BE USED AS A GUIDE ONLY. GOOD ELECTRICAL PRACTICES SHOULD BE FOLLOWED AT ALL TIMES WHEN INSTALLING AN ELECTRICAL DEVICE WITHIN THIS ENCLOSURE. PLEASE NOTE THAT LAMP WATTAGES SHOULD NOT EXCEED 3 WATTS.

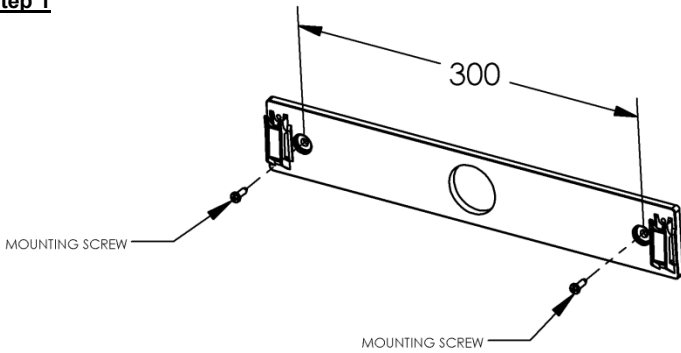
### APPLICATION

THE IP65 WEATHERPROOF ENCLOSURE IS DESIGNED TO ENCLOSE AN EXIT SIGN OR EMERGENCY LUMINAIRE. THE UNIT IS SUPPLIED COMPLETE WITH A WALL BRACKET AND CEILING MOUNT CLIPS TO ENABLE QUICK INSTALLATION WITHOUT THE NEED TO PERFORATE THE HOUSING. IT IS ALSO FITTED WITH AN IP RATED BREATHER TO EQUALISE THE INTERNAL TEMPERATURE WITH THE AMBIENT TO AVOID THE BUILD-UP OF CONDENSATION INSIDE. A GLAND IS SUPPLIED TO SUIT ROUND FLEXIBLE CABLE.

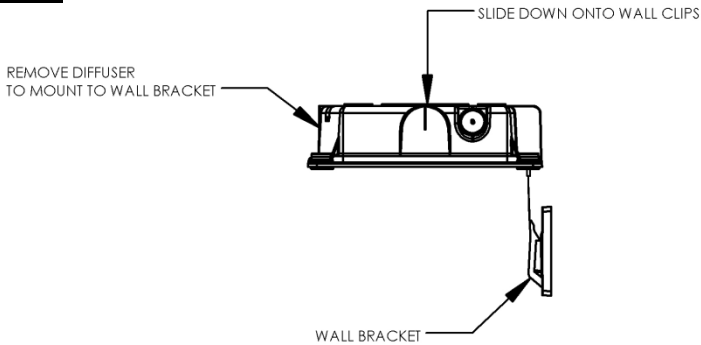
### WALL MOUNT

Included is an adaptor plate with screws that needs to be fitted into the housing before the ECOEXIT1BOX or PQFLEDLP are added.

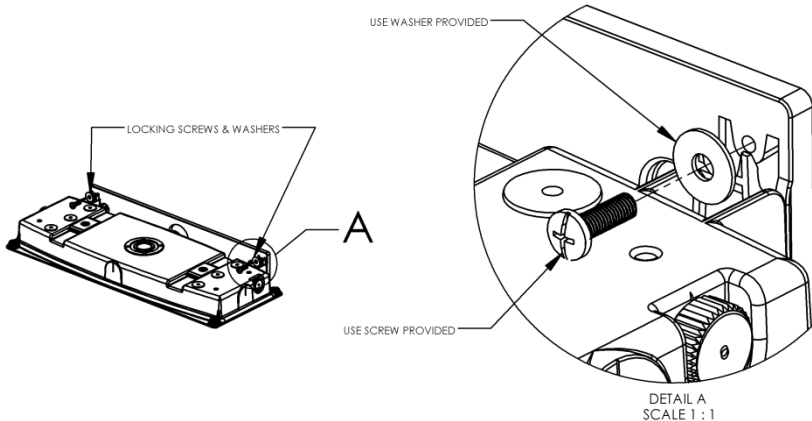
#### Step 1



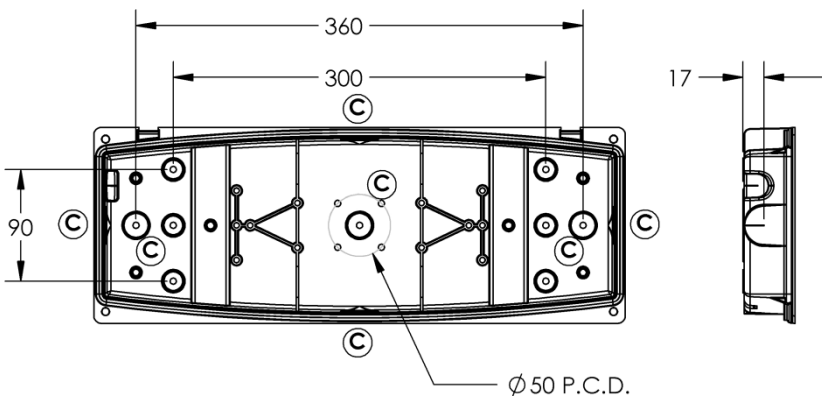
#### Step 2



#### Step 3

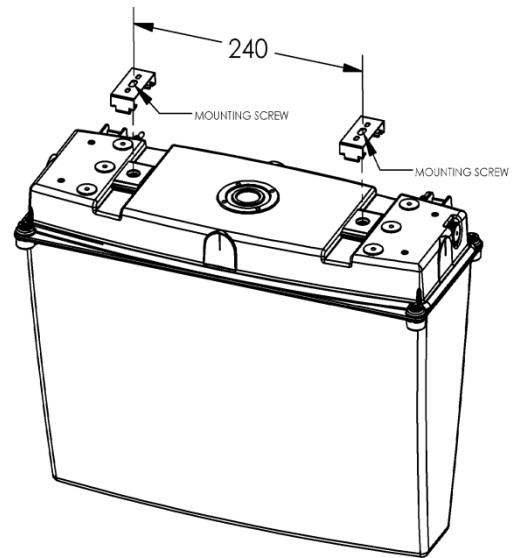


### CABLE ENTRY & MOUNTING POINTS

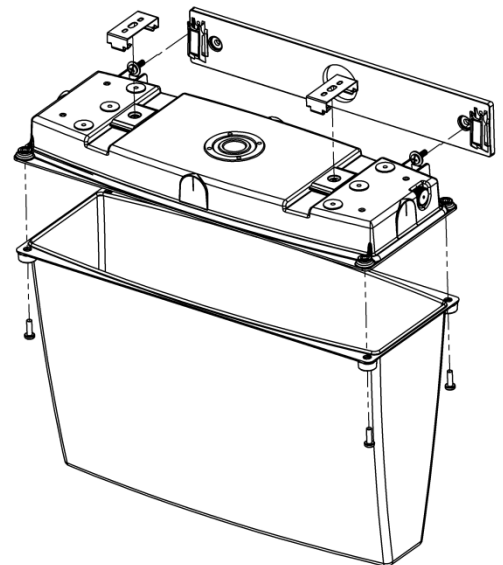


### CEILING/ SUSPENDED MOUNT

Included is an adaptor plate with screws that needs to be fitted into the housing before the ECOEXIT1BOX or PQFLEDLP are added.



### COMPLETE ASSEMBLY



**FOS**  
LIGHTING